

AL-BL

DMN-WESTINGHOUSE

- High filling efficiency
- Sheared angle inlet
- Minimum air leakage
- Explosion proof models available up to 10 bar g
- Customised solutions
- Bored flanges in accordance with PN 10, ANSI 150 lbs and JIS



AL-BL

The AL air locks and BL blow through valves have been designed by DMN-WESTINGHOUSE for many applications in the metering and pneumatic conveying of products in powder and granular form. These valves are the result of 30 years continuous development.

An extensive and flexible range of rotary valves is available. Due to the modular design of the valves many different configurations are available, using standard components. (See next page)

The product line also includes USDA approved models for sanitary use in the food and pharmaceutical industry: the types DAIRY and DAIRY MZC. These stainless steel valves are easy detachable in a few minutes and meet the highest hygienic standards.

The AL valves are available in 10 consecutive sizes from 100-500, covering a capacity range of the rotor from 0.8-230 liter per revolution at 100 % filling. In the 400-500 sizes the valves can be supplied with square in- and outlet (type OS).

The blow through valves are available in the BL-version 150-350 and the GOS version 400-500. See last page for a photo of the GOS version. Further information is available on request.

Drive options include chain, direct, air and hydraulic drive.

Product information

DMN-WESTINGHOUSE provides tailor made products to meet your every requirement.

The standard models are suitable for products up to a temperature of 150 °C and a maximum pressure difference of 2 bar. Special configurations are available to accommodate temperatures between -200°C and +900°C. Configurations pressure shock resistant up to 10 bar g and explosion proof models are also available.

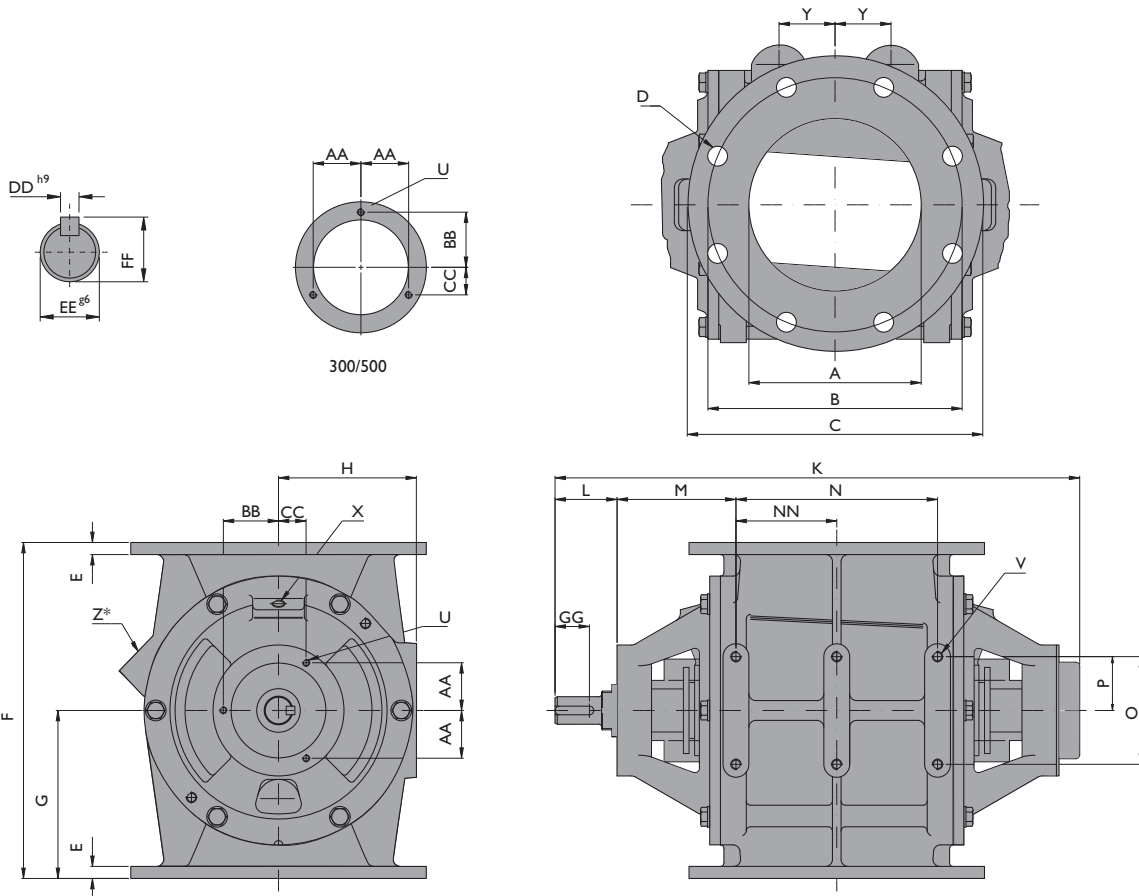
The AL valve is available with an optional body having one round and one square flange and a larger diameter inlet: AML version. The AML valve can also be used as a transition piece from round to square or vice versa. See last page for a photograph of the AML.

All models offer optimum venting through the large vent holes, standard pre-drilled and plugged on cast iron based versions, optional on stainless steel and aluminium versions.

For applications where inlet size is more important than capacity, a range of blow through valves with an enlarged inlet is available in aluminium and 316 stainless steel.

Components for bulk solids handling

DMN
WESTINGHOUSE



Type AL	Ltr/rev	ØA	DIN			ANSI			E	F	G	H	K	L	M	N	NN	O
			ØB	D	ØC	ØB	D											
100	0,8	100	170	4xØ18	210	-	-	10,5	180	90	90	328	54	84	90	-	75	
150	2,5	150	240	8xØ23	285	241,3	8xØ22,2	12	280	140	110	484	60	127	146	-	100	
175	5,5	175	270	8xØ23	315	-	-	14	330	165	130	524	60	125	190	-	100	
200	10,5	200	295	8xØ23	343	298,4	8xØ22,2	14	390	195	160	609	72	138	234	-	125	
250	19	250	350	12xØ23	406	361,9	12xØ25,4	16	450	225	190	659	72	138	284	142	125	
300	34	300	400	12xØ23	483	431,8	12xØ25,4	21	540	270	225	763	74	150	360	180	125	
350	58	350	460	16xØ23	530	476,2	12xØ28,6	26	660	330	270	833	74	155	420	210	125	
400	91	400	515	16xØ26	595	539,7	16xØ28,6	26	750	375	325	944	108	154	500	250	200	
450	135	450	565	20xØ26	615	577,8	16xØ31,7	26	855	427,5	380	1052	111	170	572	286	300	
500	230	500	620	20xØ27	670	635	20xØ31,7	28	960	480	435	1147	110	171	650	325	340	

Type AL	P	U	V	X	Y	Z*	AA	BB	CC	DD	EE	FF	GG
100	32,5	2xM6	4xM8	1/8"	-	-	35	-	-	8	25	28	39
150	50	3xM6	4xM10	1/4"	40	3/4"	37,1	52,5	37,1	8	30	33	36
175	50	3xM6	4xM10	1/4"	53	1"	37,1	52,5	37,1	8	30	33	36
200	62,5	3xM8	4xM12	1/4"	65	1 1/4"	55,4	64	32	10	32	35	44
250	62,5	3xM8	6xM12	1/4"	75	1 1/4"	55,4	64	32	10	32	35	44
300	62,5	3xM10	6xM12	3/8"	95	1 1/2"	73,6	85	42,5	10	38	41	45
350	62,5	3xM10	6xM12	3/8"	112	1 1/2"	73,6	85	42,5	10	38	41	45
400	100	3xM10	6xM16	3/8"	125	2"	73,6	85	42,5	14	50	54	70
450	150	3xM10	6xM16	3/8"	163	2"	73,6	85	42,5	18	60	64	70
500	130	3xM10	6xM16	3/8"	180	2"	99,6	115	57,5	18	60	64	70

* Standard pre-drilled for cast iron.
 Standaard voorgeboord bij gietijzer.
 Standard geboort in Gusseisen.
 Standard percé chez acier.
 Taladros para aire de pérdida standard para versión de Fe.
 Fori di sfciato standard per versione in ghisa.

Technical modifications are possible, dimensions in mm.
 Technische wijzigingen voorbehouden, maten in mm.
 Technische Änderungen vorbehalten, Maße in mm.
 Changements d'exécutions techniques réservés, dimensions en mm.
 Son posibles variaciones técnicas, dimensiones en mm.
 Sono possibili variazioni tecniche, dimensioni in mm.

The AL and BL valves are assembled with the following standard components:
(like the other DMN-WESTINGHOUSE valves)

Housing and end covers

- cast iron
- cast iron, hard chromium plated internally
- cast iron, electroless nickel plated internally
- cast iron, provided with a tungsten carbide wear layer
- stainless steel 316
- aluminium (AL, BL enlarged inlet)

Rotors

- fixed blades
- provided with replaceable and adjustable blades
- with reduced capacity and replaceable blades
- with rounded pockets and fixed blades
- with end plates

Shaft materials

- steel
- stainless steel 316
- options with hard chromium or tungsten carbide coating

Rotor blades

- steel
- steel, hardened
- steel, hard chromium plated or electroless nickel plated
- stainless steel 316
- plastic (polyurethane, Teflon etc.)
- brass
- hardened steel or hardened stainless steel scraper blades (optional chrome plating)
- chamfered

Shaft seals:

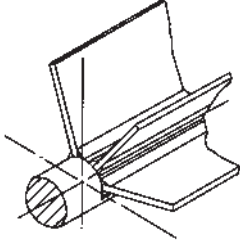
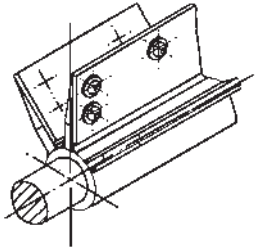
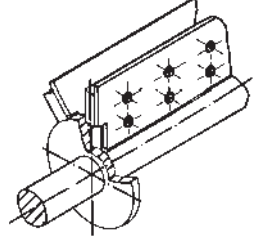
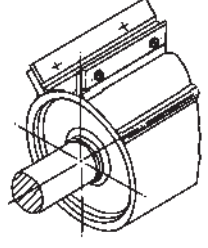
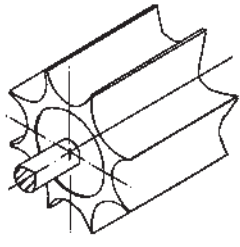
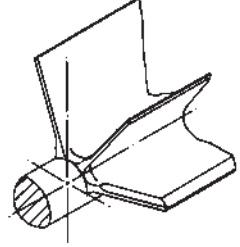
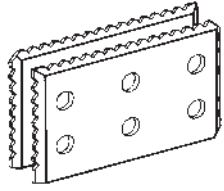
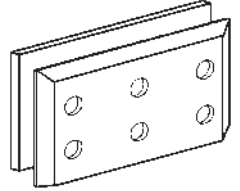
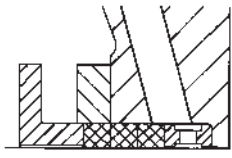
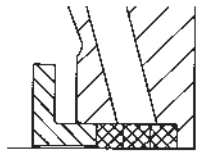
- packing ring or air purged type seals according to customer's requirements

Bearings:

- outriggered ball-bearings, sealed for life

Body vents:

- standard pre-drilled and plugged on cast iron based versions, optional on stainless steel and aluminium versions

	
Rotor with fixed blades	Rotor with replaceable and adjustable blades
	
Semi end disc rotor	RC rotor
	
Scalloped rotor	Daibi rotor
	
Scraper blades	(Not) chamfered blades
	
Air purge seals	Gland packing seals

Variations on standard components are available

We shall be pleased to send you further detailed documentation concerning our AL/BL range or other DMN-WESTINGHOUSE products.

AL-BL

DMN-WESTINGHOUSE

Other DMN-WESTINGHOUSE products:



AL-MZC



BL-DAIRY



AML



GL



DL



MLD-MALD-MGLD



SAL



TDV



M-TDV



PTD



FVV



FDV



DUC



SC



OS / GOS

DMN-WESTINGHOUSE have been designing and manufacturing rotary valves, diverter valves and other related components for the bulk solids handling industry for more than 30 years. Offering tailor made solutions for chemical, food, plastics and pharmaceutical industries, DMN-WESTINGHOUSE products are distributed worldwide. Besides an extensive range of standard components, we supply USDA approved sanitary versions and explosion-proof models. An extensive network of subsidiaries, distributors and representatives ensures a high level of service and support all over the world.

© DMN - HOLLAND - 2002/07

Head Office:

DMN Machinefabriek Noordwykerhout B.V.

P.O. Box 6, 2210 AA Noordwijkerhout, Holland

Tel. +31 252 361 800, Fax +31 252 375 972 / 934

E-mail: dmn@dmn-nwh.nl

Internet: www.dmn-nwh.nl



DMN
WESTINGHOUSE

Subsidiaries:

DMN U.K. Ltd.

Unit 1&2, Harris Road,
Porte Marsh Industrial Estate
Calne, Wiltshire, SN 11 9PT, U.K.
Tel. +44 1249 818 400
Fax +44 1249 818 410
E-mail: dmn@dmnuk.com

DMN Schüttguttechnik GmbH

Rütgersstrasse 8
D-21244 Buchholz i.d. Ndh, Germany
Tel. +49 4181 931 40
Fax +49 4181 931 490
E-mail: dmn@dmn-schuettingtechnik.de

DMN Italia S.r.l.

Via Teresa Noce, 2
20060 Pessano Con Bornago (MI), Italy
Tel. +39 02 950 47 47
Fax +39 02 950 47 75
E-mail: dmn@dmnitaly.com

DMN Incorporated

3895 South Perkins Road, Suite 8
Memphis, TN 38118, U.S.A.
Tel. +1 901 360 1537
Fax +1 901 360 0348
E-mail: dmnfo@dmn-inc.com